



VISHAY INTERTECHNOLOGY, INC.

DISPLAYS

LED DISPLAY MODULES

LED-128G032-1



PRODUCT OVERVIEW



LED Display Modules

LED-128G032-1

128 x 32 Graphics Display with Drive Electronics and +5 V HC CMOS Level Video Interface

The LED-128G032-1 is an LED replacement for the popular APD-128G032 plasma display module. It is designed to offer high brightness and superior viewing characteristics in a slim package. This display is ideal for low to medium level information content and is ideal for applications such as arcade games, process control, POS terminals, medical equipment, message centers and ATM machines.

The LED-128G032-1 LED display offers high contrast, wide viewing angle, and long distance readability. It emits a brilliant orange color which catches the attention of the viewer, but is yet comfortable to the eye.

The LED-128G032-1 LED display has a video type interface and is driven in a standard row/column refresh method. Pixel data is clocked for a row, and rows are scanned sequentially. Signals are presented for SERIAL DATA, DOT CLOCK, COLUMN LATCH, ROW DATA, ROW CLOCK and DISPLAY ENABLE. The SERIAL DATA is entered with the DOT CLOCK up to frequencies as high as 8 MHz. After a row of 128 pixels is clocked in, the COLUMN LATCH signal is toggled and the data is latched. At the time the data is latched, the display is briefly disabled using the DISPLAY ENABLE signal, then the row pointer is advanced with the ROW CLOCK signal. Once each frame the ROW DATA must be asserted to synchronize the column serial data with the beginning row. The recommended scanning frequency is approximately 70 Hz, but may be as high as 200 Hz.

Features

- LED replacement for the popular APD-128G032 plasma display module
- + 5 V HC CMOS level video interface
- Large characters
- Highly visible for long distance viewing
- > 30:1 contrast ratio
- Brilliant neon orange color

- Slim profile
- Reduced power and brightness version

Electrical Specifications

Voltage(s) Required:	+ 5 VDC (Vcc)
Power Required (Fully Lit):	Typical = 5.5 watts Maximum = 6.5 watts

Optical Specifications

Viewing Area:	12.75" [323.8 mm] W x 3.15" [80.01 mm] L
Character Size (5x7):	0.65" [16.51 mm] H x 0.45" [11.43 mm] W
Pixel Size:	0.063" [1.6 mm] H x 0.031" [0.8 mm] W
Pixel Pitch:	0.100" [2.54 mm]
Luminance:	100 foot-lamberts minimum
Color:	Neon Orange
Viewing Angle:	> 150°

Environmental Specifications

Operating Temperature:	- 40 °C to + 85 °C
Storage Temperature:	- 40 °C to + 85 °C
Relative Operating Humidity:	To 95 % non-condensing
Mechanical Shock:	30G
Vibration:	3G
Operating Altitude:	10 000 feet

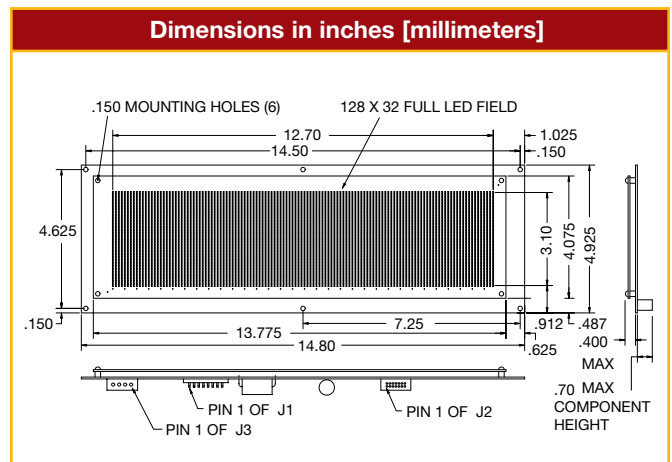
Interface Signal Description

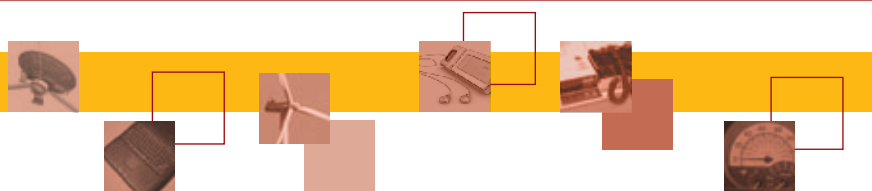
DOT CLOCK - This signal enters the SERIAL DATA on each low to high transition. A total of 128 DOT CLOCK transitions must be present for each line of column/anode data.

SERIAL DATA - This signal presents the pixel data in positive logic format. A logic one represents a lit pixel and a logic

Standard Electrical Specifications*					
Description	Symbol	Min.	Typ.	Max.	Units
Logic and LED Drive Voltage	Vcc	+ 4.5	+ 5.0	+ 5.5	VDC
Logic and LED Drive Current (Fully Lit)	Icc	—	1.1	1.3	ADC
Logic 1 Input	Vih	0.7 Vcc	—	—	VDC
Logic 0 Input	Vil	—	—	0.2 Vcc	VDC

* Recommended operating voltages. All maximums are absolute maximum.





zero represents an extinguished pixel. Data is entered from right to left. The first pixel data entered will represent the left most pixel in the row.

COLUMN LATCH - This signal latches the pixel data into the driver outputs. When the COLUMN LATCH signal goes to logic one the data entered previously will fall through to the driver outputs. When the signal returns to a logic zero the data is latched and the shift register is now ready to accept the next row of data. Must be held low while entering new SERIAL DATA.

DISPLAY ENABLE - This signal enables the output drivers. Using a duty cycle control, this signal may also be used for intensity control. The DISPLAY ENABLE must be at logic zero before the COLUMN LATCH signal transitions. To avoid display blurring, the ROW CLOCK signal should also transition while DISPLAY ENABLE is a logic zero.

ROW DATA - This signal is the first line marker for the scan. This input should be held high to correspond to the first row of pixel data.

ROW CLOCK - This signal clocks ROW DATA on the falling edge. The ROW CLOCK signal is repetitive and must be present for proper scanning of the display module. The LED-128G032-1 has an unique input protection circuit that assures the column drivers stay blanked on power up. The protection circuit unblanks the column drivers when the ROW CLOCK signal begins (i.e the display begins scanning.)

Pin Description

J1 - Power Connector

Tyco AMP #640445-8 or equivalent. Mates with Tyco AMP 640428-8, MOLEX 09-05-3081 or equivalent.

Pin	Signal	Description
1	n/c	No connection
2	n/c	No connection
3	Key	Used to key connector
4	GND	GND
5	GND	GND
6	Vcc	Logic and LED drive supply
7	RESERVED	No connection
8	n/c	No connection

J2 - Data Connector

Tyco AMP #103309-2 or equivalent. Mates with Tyco AMP 746195-2, MOLEX 39-27-1146 or equivalent.

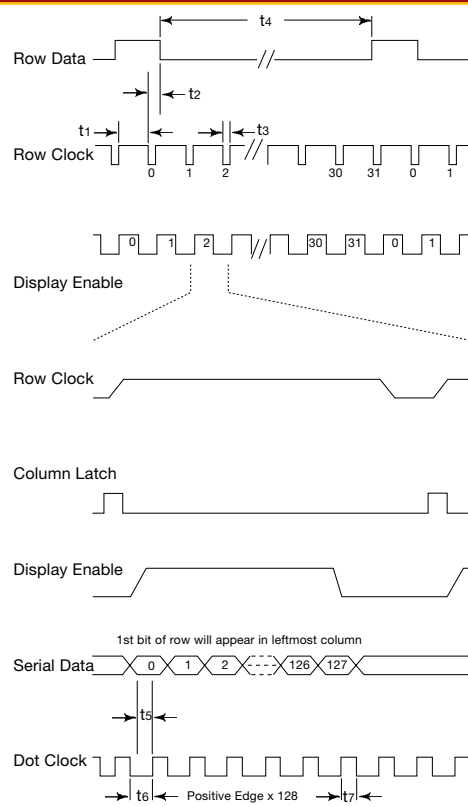
Pin	Description	Pin	Description
1	DISPLAY ENABLE	2	GROUND
3	ROW DATA	4	GROUND
5	ROW CLOCK	6	GROUND
7	COLUMN LATCH	8	GROUND
9	DOT CLOCK	10	GROUND
11	SERIAL DATA	12	GROUND
13	NO CONNECT	14	GROUND

J3 - Power Connector

Tyco AMP #641737-1 or equivalent. Mates with Tyco AMP 1-480424-0 housing and 60617-4 socket terminals.

Pin	Signal	Description
1	RESERVED	No connection
2	GND	
3	GND	
4	Vcc	Logic and LED drive supply

Logic and Data Timing



Parameter	Min.	Typ.	Max.	Units
t ₁	100	—	—	nS
t ₂	5	—	—	uS
t ₃	1	—	—	uS
t ₄	—	70	200	Hz
t ₅	25	—	—	nS
t ₆	75	—	—	nS
t ₇	75	—	—	nS

Ordering Information

Description..... Part Number

Display, Driver Electronics and + 5 V HC CMOS Interface	LED-128G032-1
J2 Data Connector Kit (2 pcs. recommended)	280105-05
J1 Power Connector Kit	280108-12
J3 Power Connector Kit	280108-05

SEMICONDUCTORS:

Rectifiers • Small-Signal Diodes • Zener and Suppressor Diodes • MOSFETs
• RF Transistors • Optoelectronics • ICs

PASSIVE COMPONENTS:

Resistive Products • Magnetics • Capacitors • Strain Gage Transducers and
Stress Analysis Systems



One of the World's Largest
Manufacturers
of Discrete Semiconductors and Passive Components

WORLDWIDE SALES CONTACTS

THE AMERICAS

UNITED STATES

VISHAY AMERICAS
ONE GREENWICH PLACE
SHELTON, CT 06484
UNITED STATES
PH: +1-402-563-6866
FAX: +1-402-563-6296

ASIA

SINGAPORE

VISHAY INTERTECHNOLOGY
ASIA PTE LTD.
25 TAMPINES STREET 92
KEPPEL BUILDING #02-00
SINGAPORE 528877
PH: +65-6788-6668
FAX: +65-6788-0988

P.R.C.

VISHAY TRADING (SHANGHAI) CO., LTD.
(SHANGHAI REPRESENTATIVE OFFICE)
ROOM D, 15F, SUN TONG INFOPORT PLAZA
55 HUAI HAI WEST ROAD
200030 SHANGHAI
P.R.C.
PH: +86-21-5258-5000
FAX: +86-21-5258-7979

JAPAN

VISHAY JAPAN CO., LTD.
MG IKENOHATA BLDG. 4F
1-2-18, IKENOHATA
TAITO-KU
TOKYO 110-0008
JAPAN
PH: +81-3-5832-6210
FAX: +81-3-5832-6260

EUROPE

GERMANY

VISHAY EUROPE SALES GMBH
GEHEIMRAT-ROSENTHAL-STR. 100
95100 SELB
GERMANY
PH: +49-9287-71-0
FAX: +49-9287-70435

FRANCE

VISHAY S.A.
199, BLVD DE LA MADELEINE
06003 NICE, CEDEX 1
FRANCE
PH: +33-4-9337-2920
FAX: +33-4-9337-2997

NETHERLANDS

VISHAY BCCOMPONENTS B.V.
HURKESTRAAT 31
P.O. BOX 8766
5652 AH EINDHOVEN
NETHERLANDS
PH: +31-40-2590-700
FAX: +31-40-2590-777